

SAMPLE TEST 1  
PHYS 111, FALL 2010, SECTION 1

Name: \_\_\_\_\_

*By writing my name above, I affirm that this test represents my work only, without aid from outside sources. In all aspects of this course I perform with honor and integrity.*

SHOW YOUR WORK ON ALL OF THE PROBLEMS. YOUR APPROACH TO THE PROBLEM IS AS IMPORTANT AS, IF NOT MORE IMPORTANT THAN, YOUR ANSWER. DRAW **CLEAR AND NEAT PICTURES** SHOWING COORDINATE SYSTEMS AND ALL OF THE RELEVANT PROBLEM VARIABLES. ALSO, **EXPLICITLY** SHOW THE **BASIC EQUATIONS** YOU ARE USING. BE NEAT AND THOROUGH. THE EASIER IT IS FOR ME TO UNDERSTAND WHAT YOU ARE DOING, THE BETTER YOUR GRADE WILL BE.

- 1) (20pts) When we solve kinematics problems, we use two basic equations (one for velocity and one for position) that arise directly from the definitions of velocity and acceleration. Starting with the definitions of velocity and acceleration, derive these equations using calculus and **list any assumptions that were made.**

**SAMPLE TEST 1**  
**PHYS 111, FALL 2010, SECTION 1**

2. Short questions, 4 points each.

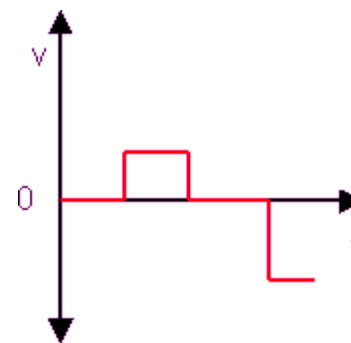
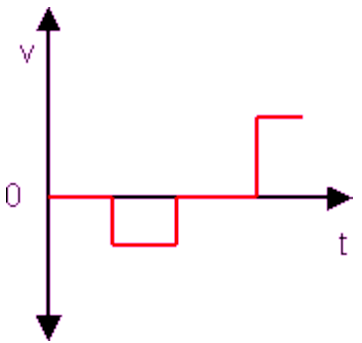
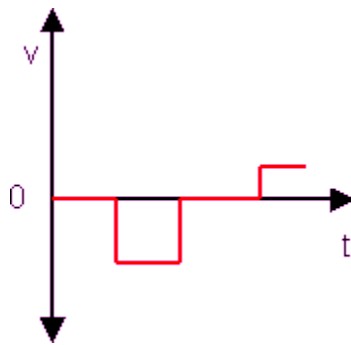
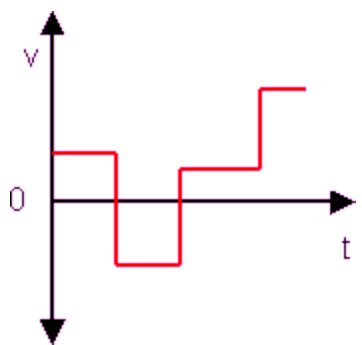
2.1) A rock drops from rest from a cliff with height  $h$ . Find an expression for its velocity just before striking the ground.

- a)  $v = \sqrt{2gh}$                       b)  $v = \sqrt{\frac{2h}{g}}$   
 c)  $v = \sqrt{\frac{2g}{h}}$                       d)  $v = v_o + \frac{1}{2}at$

2.2) This position versus time plot represents the motion of an object.



Circle the graph that represents the velocity of this object.



## SAMPLE TEST 1

### PHYS 111, FALL 2010, SECTION 1

For questions 2.3 and 2.4, consider the following situation:

A rock is dropped out of the window of a moving car. At the same time, a ball is dropped from rest from the same height. Assume that air resistance is negligible.

2.3) Which will reach the ground first?

- a) Rock
- b) Ball
- c) They will hit at the same time.

2.4) Which velocity vector will be greater?

- a) Rock
- b) Ball
- c) The magnitudes will be the same.

2.5) A ball is thrown vertically upward under the influence of gravity. At what point during its flight is its acceleration zero?

- a) On the way up
- b) At the top
- c) Just before striking the ground
- d) Never

## SAMPLE TEST 1

### PHYS 111, FALL 2010, SECTION 1

- 3) It's Sunday afternoon and you have just arrived at the park with your dog Bowser. Ignoring the leash law, Bowser takes off chasing rabbits and squirrels. You started out together but soon part ways. Bowser chases a rabbit due south for 25 yards and then chases a squirrel along a line  $10^\circ$  north of east for 30 yards. In the meantime, your leisurely stroll takes you to a point 10 yards north and 15 yards west of your starting point.
- Find the x and y components of the displacement vector between you and Bowser.
  - Calculate the magnitude and direction of the vector you found in part a.

SAMPLE TEST 1  
PHYS 111, FALL 2010, SECTION 1

**Extra space for #3**

## SAMPLE TEST 1

### PHYS 111, FALL 2010, SECTION 1

- 4) Wily coyote has purchased a new dart gun that he plans to use on roadrunner. Being somewhat uncoordinated he accidentally fires the gun straight up. The gun was 0.50 m above the ground when it fired, the dart reached a maximum height of 50.50 m above the ground, and Wily is 1.00 m tall. What is the darts velocity when it hits him in the head?
- a) Find an *expression* for the Dart's INITIAL velocity. Plug in the numbers and find a numerical value.
- b) Assuming that the initial velocity is given, find an *expression* for the dart's FINAL velocity as it hits him in the head. Plug in numbers and find a numerical value.

SAMPLE TEST 1  
PHYS 111, FALL 2010, SECTION 1

**Extra Space for #4**

## SAMPLE TEST 1

### PHYS 111, FALL 2010, SECTION 1

5) (30pts) Having recovered from an earlier crash, Gumby is ready to try new and more exciting stunts on his skateboard. After some prodding from the Blockheads, he decides to jump across a river. Gumby knows that the far bank is 3.0 m below the top of the ramp. The ramp is inclined at  $37.0^\circ$  above the x-axis. He is moving at 15 m/s when he leaves the ramp.



- a. How wide of a river can Gumby jump if he puts the ramp on the edge of the riverbank?
- b. If Gumby lands with  $|v| > 16\text{ m/s}$  his legs will break. Does Gumby need crutches?



SAMPLE TEST 1  
PHYS 111, FALL 2010, SECTION 1

**Extra Space for #5**